



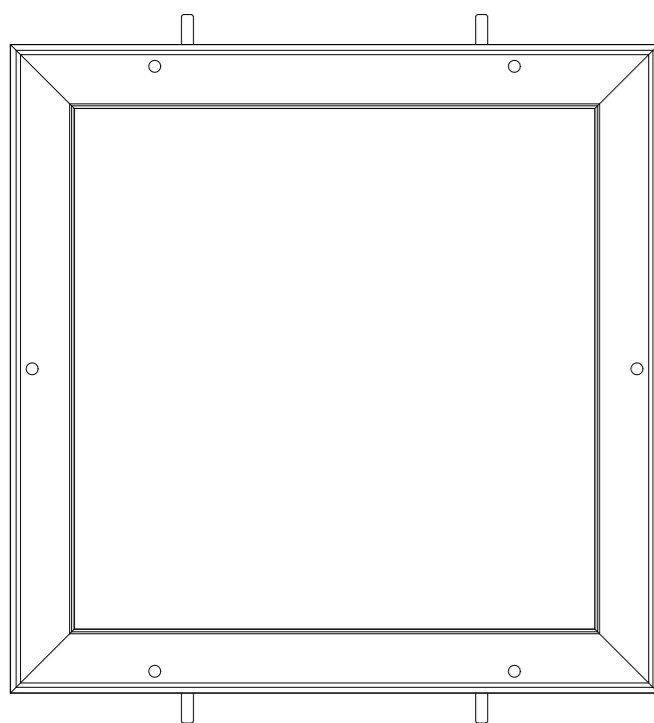
LED 50000 HOURS Ra 80+



WESTGATE
ww.westgatemfg.com

RoHS

PREMIUM IP65 CLEANROOM PANEL User Manual



All the pictures are just for reference and we have the final explanation rights

Included Parts

LED Panel Light x1
Instruction manual x1

Safety Information

CAUTION! Risk Of Electric Shock

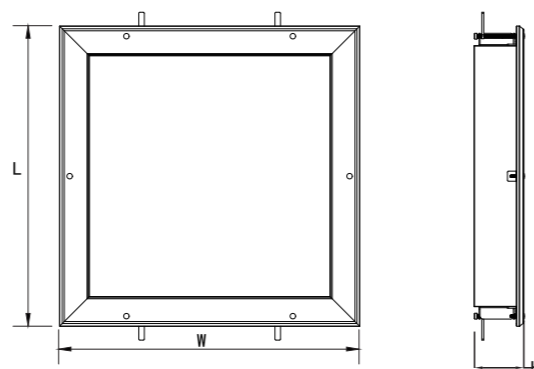
Turn off all power prior to installation by switching off circuit breaker or removing fuse at fuse box.

- This product should be installed by a fully certified electrician in accordance with relevant federal, state and local building and electrical codes

Common Failures & Solutions

Common Failures	Solutions
Light is out	Ensure the lamp is well connected. Ensure the switch is turned on.
Flashing	Ensure the Voltage is stable. Ensure the dimmer is compatible.

Size

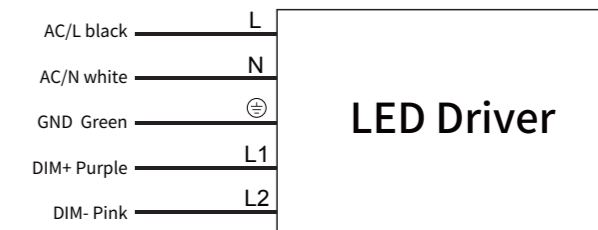


SIZE	L X W X H (mm)	L X W X H (Inch)
2FT X 2 FT	602 X 602 X 100 mm	23.7 X 23.7 X 3.94"
1FT X 4 FT	298 X 1212 X 100 mm	11.74 X 47.7 X 3.94"
2FT X 4 FT	602 X 1212 X 100 mm	23.7 X 47.7 X 3.94"

Installation

- Power off.
- Take down the silicon plugs from the frame.
- Use a screwdriver to remove the six screws from the holes.
- Get down the safety cable on the front cover and disconnect the DC connector.
- Open the junction box cover.
- Wire the fixture through knocking-off hole and reinstall the cover.
- Recessed mounting the fixture into the opened hole on ceiling.
- Fix the fixture on the ceiling by turning the 4 screws on the edges.
- Reinstall the safety cable and connect DC connectors.
- Tighten screws to install front cover to backplate and move back the silicon plugs.
- Power on.

Wiring Diagram



Notes

- Indoor lighting only.
- Before installation, ensure the LED panel is not damaged.
- Don't stare at the LED luminous surface for long time.
- Keep away from children, and ensure working electrical apparatus inaccessible to them.
- No packages accessible to children, because they might be choked for playing, or eating the small accessories.
- No covering, be away from fire or high-temperature substance.
- Manufacturer reserves the right to offer no replacement or warranty to the led panels disassembled or repaired by users themselves.
- Cut off power before cleaning the panels with dry cloth, use no chemical or corrosive substance.
- Cut off power before installation.
- The light source of this luminaire is not replaceable; when the light source reaches its end of life the whole luminaire shall be replaced.
- The external flexible cable or cord of the panel light cannot be replaced; if the cord is damaged, the luminaire shall be destroyed.

FCC Notes

This device complies with Part 15 of the FCC Rules. Operation is subject to the following two conditions: (1) this device may not cause harmful interference, and (2) this device must accept any interference received, including interference that may cause undesired operation. Changes or modifications to this unit not expressly approved by the party responsible for compliance could void the user's authority to operate the equipment.

NOTE: This equipment has been tested and found to comply with the limits for a Class B digital device, pursuant to Part 15 of the FCC Rules. These limits are designed to provide reasonable protection against harmful interference in a residential installation. This equipment generates, uses and can radiate radio frequency energy and, if not installed and used in accordance with the instructions, may cause harmful interference to radio communications. However, there is no guarantee that interference will not occur in a particular installation. If this equipment does cause harmful interference to radio or television reception, which can be determined by turning the equipment off and on, the user is encouraged to try to correct the interference by one or more of the following measures:

- Reorient or relocate the receiving antenna.
- Increase the separation between the equipment and receiver.
- Connect the equipment into an outlet on a circuit different from that to which the receiver is connected.
- Consult the dealer or an experienced radio/ TV technician for help.

WESTGATE
ww.westgatemfg.com